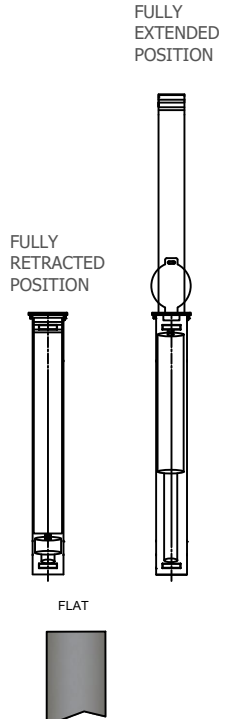
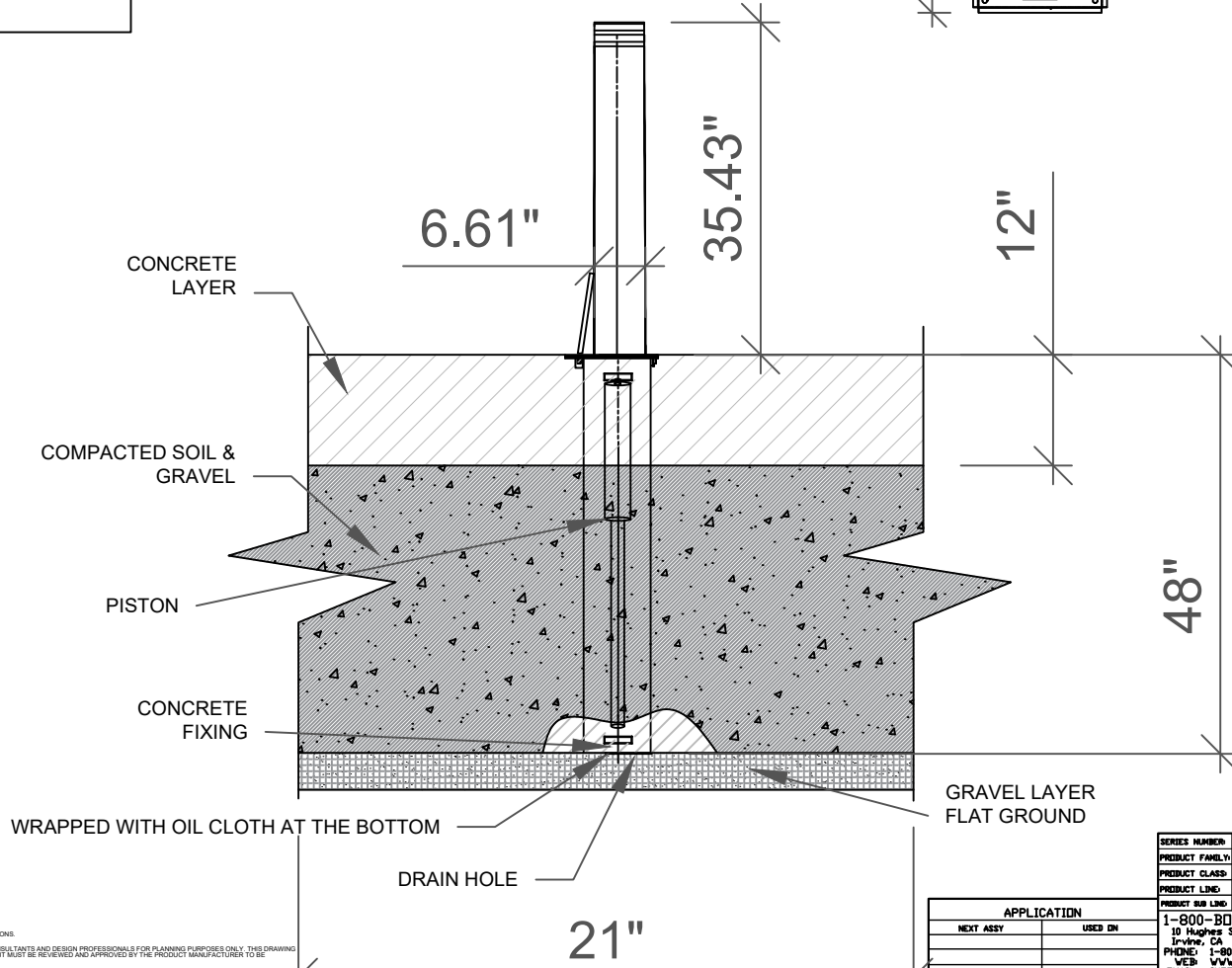
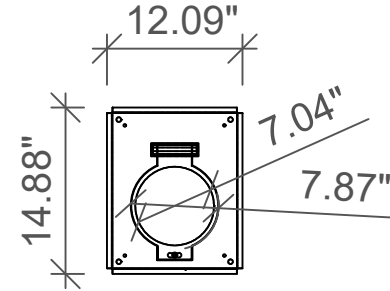
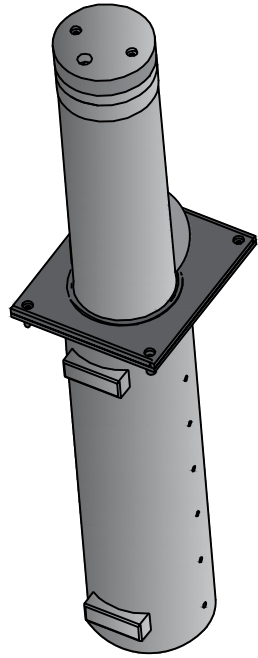


1-800-BOLLARDS

The Bollard Experts

- 6" ASSISTED LIFT BOLLARD MATERIAL
- CARBON STEEL
 - MACS6000B (BLACK)
 - MACS6000Y (YELLOW)
- STAINLESS STEEL SELECTION
 - TYPE 304
 - TYPE 316
- STAINLESS STEEL BOLLARD FINISH
 - POLISHED #4

REVISIONS			
LTR	DESCRIPTION	DATE	APPVD
COMMENTS			
SPECIFICATIONS			
HEIGHT: 35.43"			
DIAMETER: 6.61"			
WALL THICKNESS: 0.275"			



NOTES:
 1. INSTALLATION TO BE COMPLETED IN ACCORDANCE WITH MANUFACTURER'S SPECIFICATIONS.
 2. DO NOT SCALE DRAWING.
 3. THIS DRAWING IS INTENDED FOR USE BY ARCHITECTS, ENGINEERS, CONTRACTORS, CONSULTANTS AND DESIGN PROFESSIONALS FOR PLANNING PURPOSES ONLY. THIS DRAWING IS NOT TO BE USED FOR CONSTRUCTION OF THE PROJECT WITHOUT THE WRITTEN APPROVAL OF 1-800-BOLLARDS, INC.
 4. ALL INFORMATION CONTAINED HEREIN WAS CURRENT AT THE TIME OF DEVELOPMENT BUT MUST BE REVIEWED AND APPROVED BY THE PRODUCT MANUFACTURER TO BE CONSIDERED ACCURATE.

APPLICATION	
NEXT ASSY	USED ON

SERIES NUMBER:	AL6000	CAGE CODE:	AL6	REV:	6	DRAWING NUMBER:	AL60
PRODUCT FAMILY:	MANUAL RETRACTABLE	DRAWN BY:	AJA	DRAWING REV:			
PRODUCT CLASS:	STANDARD OR CUSTOMER DEFINED	CHECKED BY:		SHEET:	1 OF 1		
PRODUCT LINE:	BOLLARD	APPROVED BY:		RELEASE DATE:	1-3-2023		
PRODUCT SUB LINE:	SEMI AUTO	1-800-BOLLARDS, Inc. 10 Hughes Suite A103 Irvine, CA 92618 PHONE: 1-800-BOLLARDS WEB: WWW.1800BOLLARDS.COM EMAIL: INFO@1800BOLLARDS.COM					
TITL:							BOLLARD, SEMI AUTO